

Snowmobile Installation Instructions

Heavy Duty Suspension Kit (p/n 7639-887)



■ **NOTE:** Read these Installation Instructions thoroughly before beginning the installation process. Retain these Installation Instructions for future reference.

Kit includes:

p/n	QTY	DESCRIPTION
0704-894	1	Right-Side Suspension Spring
0704-895	1	Left-Side Suspension Spring
3703-769	2	Ski Shock Spring
2653-126	1	Instructions

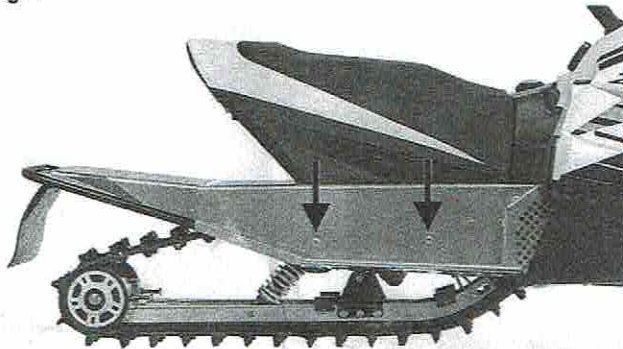
Tools Required:

- 1/2 in. Wrench/Socket
- 9/16 in. Wrench/Socket
- Ratchet Wrench
- Torque Wrench
- Shock Spring Tool (p/n 0644-057)

Rear Suspension Springs

1. Place a support stand under the rear bumper; then remove the two cap screws securing the upper idler wheel assembly to the tunnel.
2. Remove the cap screws securing the rear arm upper axle to the tunnel; then remove the two cap screws securing the rear shock axle to the tunnel. See Fig. 1.

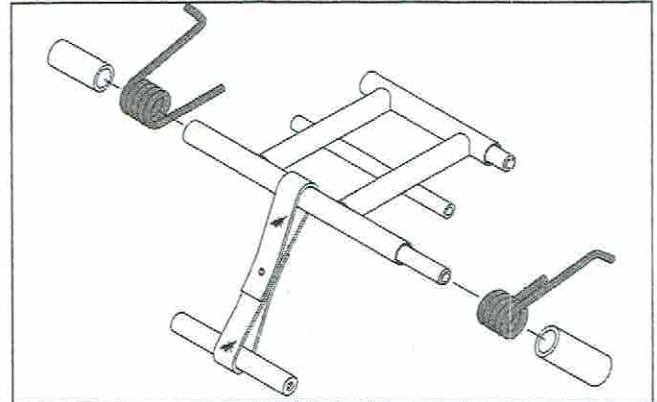
Fig. 1



ZR-118

3. Raise the rear of the snowmobile high enough to allow the skid frame assembly to drop out from the tunnel.
4. Remove the existing suspension springs from the rear arm; then install new Right- and Left-Side Suspension Springs onto the rear arm. See Fig. 2.

Fig. 2



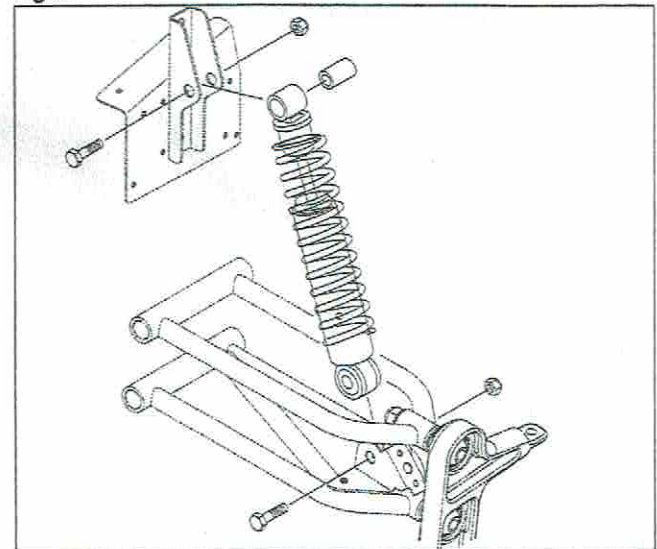
SNO-999

5. Position the skid frame into the tunnel and align the four mounting locations with the appropriate mounting holes in the tunnel. Secure using the existing cap screws (coated with blue Loctite #243). Thread the cap screws in only half way. **DO NOT TIGHTEN AT THIS TIME.**
6. Securely tighten all mounting hardware to 20 ft-lb.

Front Suspension Ski Shock Springs

1. Position the front of the snowmobile up onto a safety stand.
2. Remove the cap screws and lock nuts securing the shock to the chassis bracket and the lower A-arm; then remove the shock. Account for the upper shock bushing. See Fig. 3.

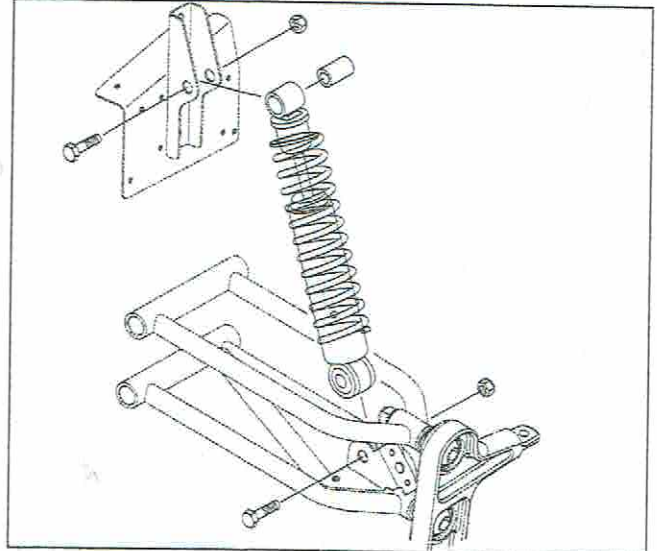
Fig. 3



0752-043

3. Secure the bottom of the shock in a vise. Using a suitable shock spring compressor, compress the shock absorber spring; then remove the spring retainer and remove the spring.
4. Install new Ski Shock Spring onto the shock and secure the spring using the spring compressor and the existing retainer.
5. Install the shock and secure using the upper bushing, two cap screws and lock nuts. Tighten to 16 ft-lb. See Fig. 4.

Fig. 4



0752-043

6. Repeat for opposite side; then remove the front of the snowmobile from the safety stand.